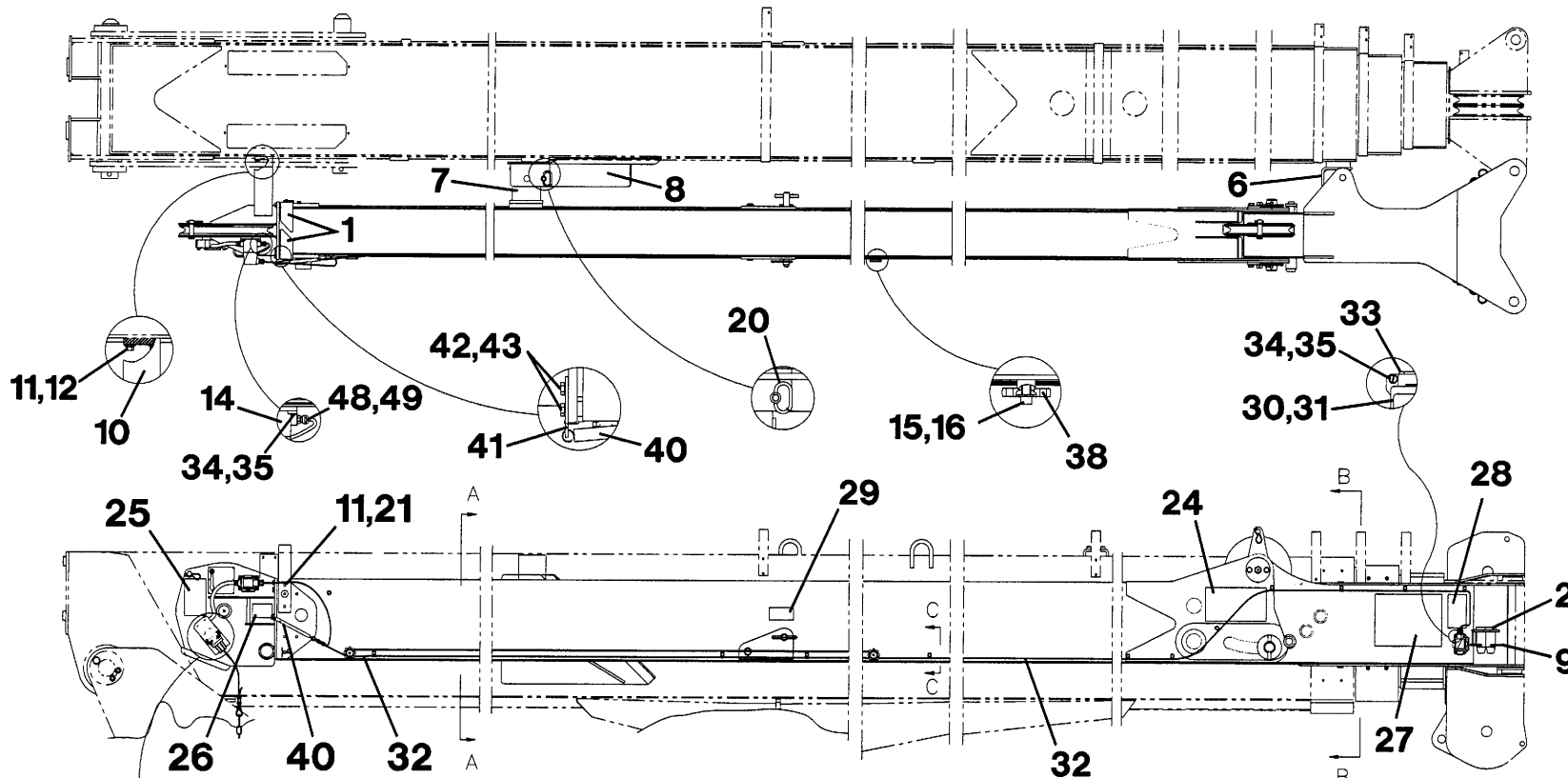


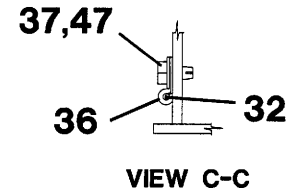
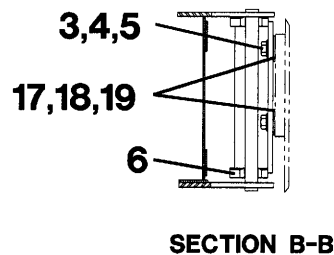
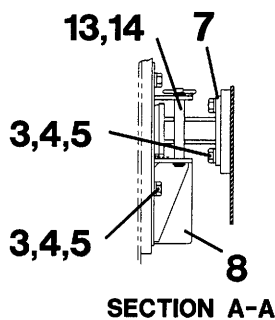
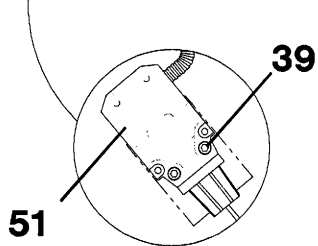
OFFSET JIB INSTALLATION - 26 / 40FT

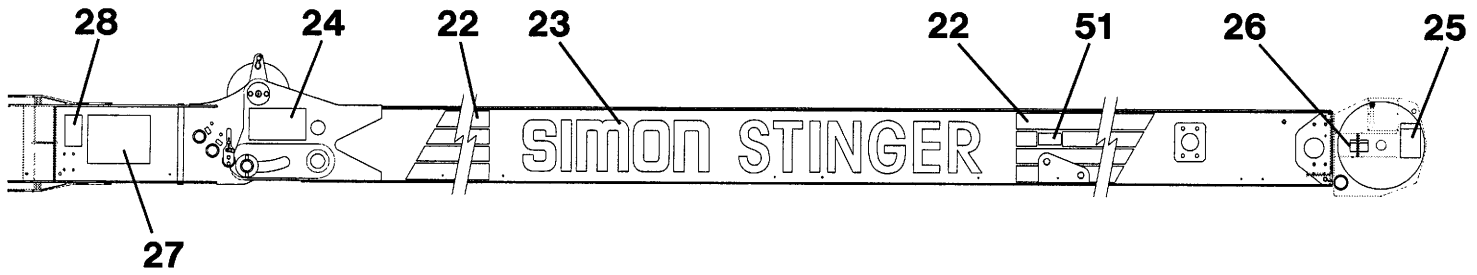
4.6



730-50257

P-2854.G





730-50257

P-2854A.C

TC-4400 SERIES TRUCK CRANE

OFFSET JIB INSTALLATION - 26 / 40FT

ITEM	PART NUMBER	DESCRIPTION	QTY.
1	770-01738	.BRACKET - CABLE GUIDE	2
2	870-40169	.PIN - 1 1/2" DIA.	4
3	220-06038	.BOLT - 5/8 x 1 1/4" LONG	12
4	222-16003	.LOCKWASHER - 5/8"	12
5	222-06006	.FLAT WASHER - 5/8 "	12
6	770-01736	.BRACKET - JIB STOW - BOOM TIP	1
7	770-02321	.BRACKET - JIB STOW	1
8	770-02322	.BRACKET - JIB STOW RAMP	1
9	224-04002	.HAIR PIN - .178	4
10	770-01822	.BRACKET - JIB STOP	1
11	222-12001	.LOCKWASHER - 3/8"	8
12	220-02004	.BOLT - 3/8NC x 1" LONG	4
13	870-20256	.PIN - JIB RAMP, 1" DIA.	1
14	200-10011	.SNAP RING - TRUARC	2
15	222-11002	.LOCKWASHER - 5/16"	2
16	220-31004	.SCREW - SOCHD, 5/16-18NC x 1 1/4" LONG	2
17	787-00226	.SHIM - .040	2
18	787-00227	.SHIM - .063	2
19	787-00228	.SHIM - .10	2
20	870-00152	.HITCH PIN ASSY - 7/8" DIA x 8" LONG	1
21	220-02045	.BOLT - HEXHD, 3/8NC x 7/8" LONG	4
22	659-00066	.PLACARD - STRIPING (12 x 65)	4
23	653-00283	.PLACARD - SIMON STINGER LOGO	2
24	652-00131	.PLACARD - ERECT & STORE PROCEDURE	2
25	651-00321	.PLACARD - PERSON LIFT ATTACH	2
26	651-00196	.PLACARD - DANGER, LANYARD ANCHOR	2
27	652-00468	.PLACARD - OFFSET JIB INSTRUCTIONS	2
28	652-00474	.PLACARD - 2ND STAGE OPERATION	2
29	651-00327	.PLACARD - OFFSET JIB PIN WARNING	2
30	400-23243	.RECEPTACLE - 6-PIN, ATB	1
31	400-23244	.INSERT - 6-PIN FEMALE, ATB	1
32	400-01531	.CABLE ASSEMBLY - ATB	1
33	400-15109	.PLUG - HOLE	2
34	223-01121	.MACH SCREW - RNDHD, #10-24NC x 3/4" LONG	8
35	222-10006	.LOCKWASHER - #10	8
36	201-00171	.CLAMP - %%c1/8 x .281 HOLE	13
37	223-15219	.SCREW - S.T. 1/4 x 1/2" LONG	13
38	808-00047	.HAND KNOB	2
39	220-31008	.SCREW - S.H. 5/16-18NC x 1 5/8" LONG	2
40	202-10066	.SPRING - CABLE TENSIONING	1
41	783-03049	.BAR - SPRING SUPT.	1
42	220-00002	.BOLT - 1/4-20NC x 1/2" LONG	2
43	222-10005	.LOCKWASHER - 1/4"	2
44	222-11002	.LOCKWASHER - 5/16"	4
45	222-01001	.WASHER, FLAT - 5/16"	4
46	221-01001	.HEX NUT - 5/16"	4
47	222-00006	.FLATWASHER - 1/4"	13
48	400-15107	.STRAIN RELIEF - PG11	1
49	400-15108	.REDUCER - PG16-11	1
50	729-02611	.WEAR PAD - JIB STOW BRKT	1
51	861-90331	.SWITCH ASSY - ATB, JIB TIP	1

P-2854.D

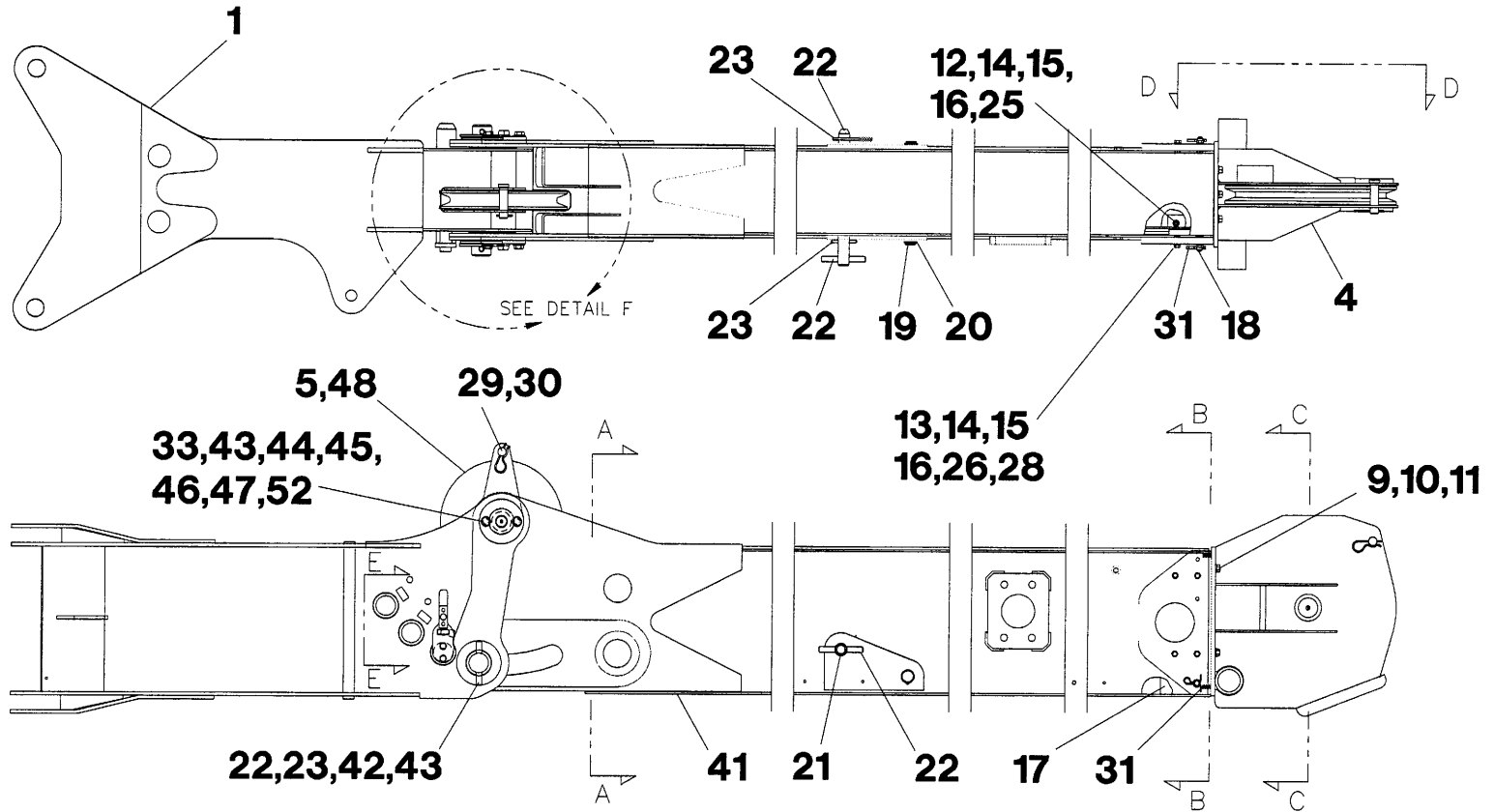
730-50257

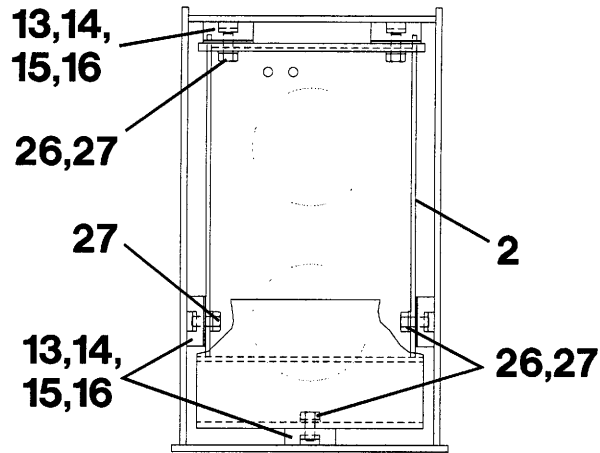
OFFSET JIB INSTALLATION - 26 / 40FT

OFFSET JIB ASSEMBLY - 26/40 FT

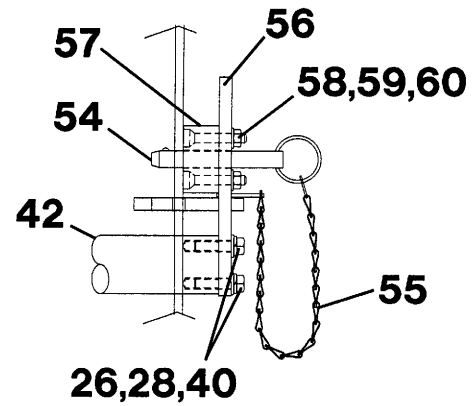
4.8

730-50259

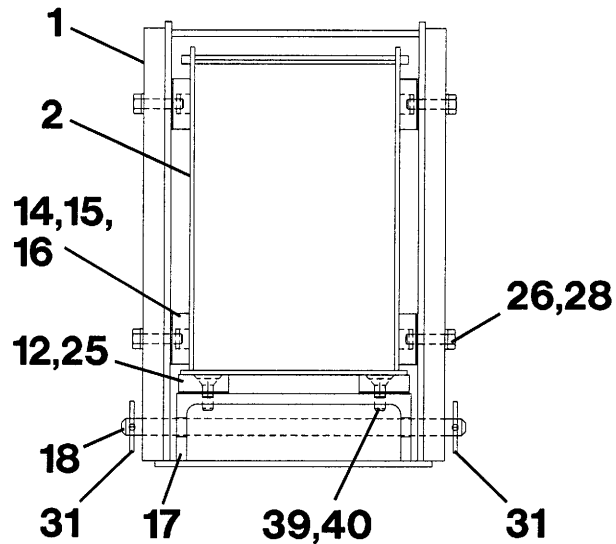




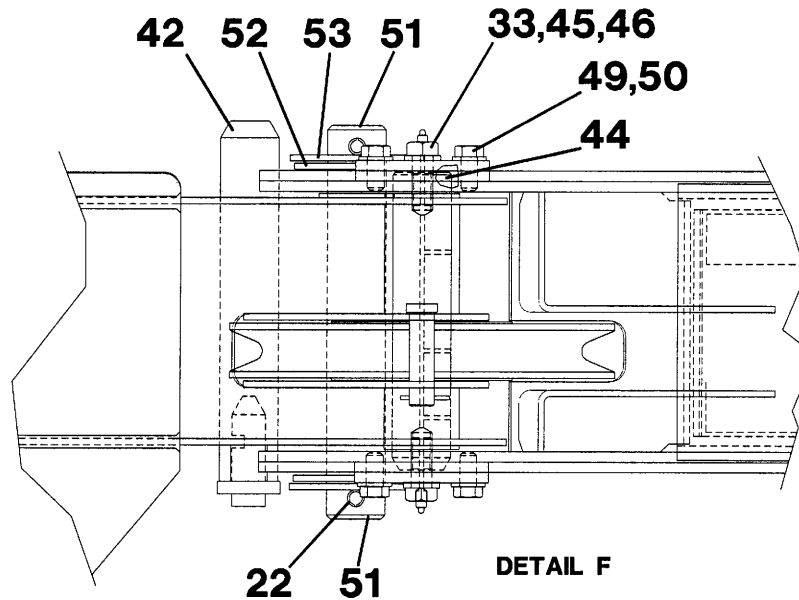
SECTION A-A



VIEW E-E



SECTION B-B



DETAIL F

P-2853A.G

730-50259

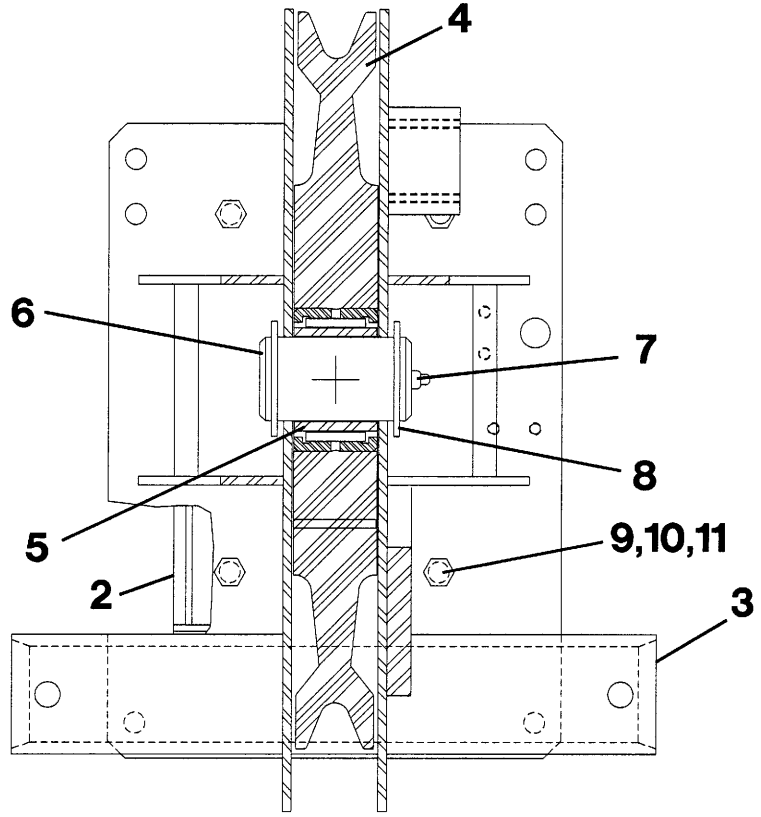
TC-4400 SERIES TRUCK CRANE

OFFSET JIB ASSEMBLY - 26\40 FT

OFFSET JIB ASSEMBLY - 26/40 FT

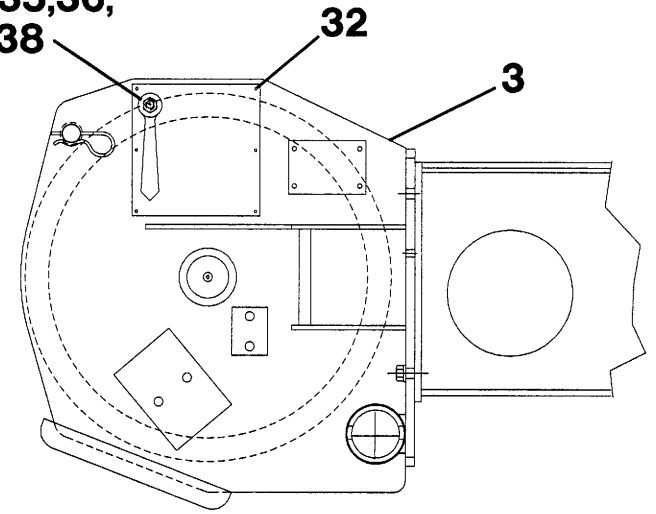
4.8

730-50259



SECTION C-C

34,35,36,
37,38



VIEW D-D

ITEM	PART NUMBER	DESCRIPTION	QTY.
1	730-51298	.BASE WELD - OFFSET JIB	1
2	730-51302	.2ND STAGE WELD - JIB	1
3	770-01987	.TIP WELD - JIB	1
4	860-70005	.SHEAVE ASSY - 9/16" ROPE	1
5	274-30004	.BEARING - INNER RACE	2
6	870-50058	.PIN - SHEAVE	1
7	501-03001	.GREASE ZERK - 1/4" - 28UNF	1
8	200-30001	.RETAINER RING - TRUARC	2
9	220-02048	.BOLT - 3/8NC x 1 1/4" LONG GR8	6
10	221-92001	.HEX NUT - 3/8NC, TOPLOCK	6
11	222-02011	.FLATWASHER - HARDENED, 3/8"	6
12	729-02170	.WEAR PAD - 2 CSK HOLES	2
13	729-02174	.WEAR PAD - PSRT	9
14	787-00241	.SHIM - 1 1/2" x 3 1/2" x .040	10
15	787-00242	.SHIM - 1 1/2" x 3 1/2" x .063	10
16	787-00243	.SHIM - 1 1/2" x 3 1/2" x .100	10
17	786-01766	.SUPPORT CHANNEL - JIB	1
18	870-00136	.PIN - 2-HOLE, 1/2" DIA x10 1/4"	1
19	870-20236	.PIN - 1" DIA x 9 1/8"	1
20	200-10002	.SNAP RING	2
21	870-20237	.PIN - 3-HOLE, 1" DIA x 12 1/8"	1
22	224-19006	.ROLL PIN - 1/2"DIA x 4"	4
23	224-16003	.ROLL PIN - 1/4"DIA x 2 1/4"	1
24	224-04002	.COTTER PIN - LEITZ LHCOT,4 3/16"	1
25	223-00301	.BOLT - 5/16NC x 1 1/4" LONG	4
26	222-11002	.LOCKWASHER - 5/16"	20
27	220-01013	.BOLT - 5/16NC x 5/8" LONG	10
28	220-01003	.BOLT - 5/16NC x 1 1/4" LONG	10
29	224-02006	.HAIRPIN .120	2
30	870-10174	.CLEVIS PIN	2
31	224-04006	.COTTER PIN - 3/16 x 1 1/2" LONG	2
32	226-40003	.TACK - METAL, AMTAK #3126	12
33	222-16003	.WASHER - LOCK, 5/8"	2
34	651-00159	.PLACARD - ANGLE, LEFT HAND	1
35	651-00160	.PLACARD - ANGLE, RIGHT HAND	1
36	220-02002	.BOLT - 3/8-16NC x 1 1/4" LONG	2
37	221-02001	.HEX NUT - 3/8-16NC	2
38	729-01051	.ANGLE POINTER	2
39	221-91004	.NUT - HEX, 5/16" TOPLOCK	4
40	222-01001	.WASHER - FLAT, 5/16"	6
41	730-51299	.PRIMARY BOOM WELD - JIB	1
42	870-50097	.PIN - 1 3/4" DIA, REMOVEABLE	1
44	870-50096	.PIN - TOP, OVERLAP, 1 3/4" DIA	1
45	501-03002	.GREASE ZERK - STRAIGHT, 1/8"	2
46	220-06057	.MODIFIED BOLT	2
47	789-04855	.PLATE - PIN RETAINER	2
48	860-40050	.SHEAVE ASSY - 9/16" ROPE	1
49	220-04047	.BOLT - HEX HD, 1/2-13NC x 1" LONG	4
50	222-14003	.WASHER - LOCK 1/2"	4
51	870-50098	.PIN - 1 3/4"	1
52	222-50082	.WASHER - NYLATRON, 3 3/4" OD	2
53	222-50081	.WASHER - 4" OD, 1 7/8" ID	2

730-50259

TC-4400 SERIES TRUCK CRANE

54	870-00153	.QUICK RELEASE PIN - 1/2 x 3" LONG	1
55	205-00032	.CHAIN - SASH, 12"	1
56	789-04895	.LATCH WELDMENT - JIB ANGLE	1
57	729-02627	.WEAR BLOCK - JIB ANGLE	1
58	221-90001	.NUT - HEX, 1/4-20 LOCK	2
59	223-00206	.BOLT - 1/4-20NC x 1 1/2" LONG	2
60	222-00011	.WASHER - FLAT, 1/4"	2

P-2853.D

